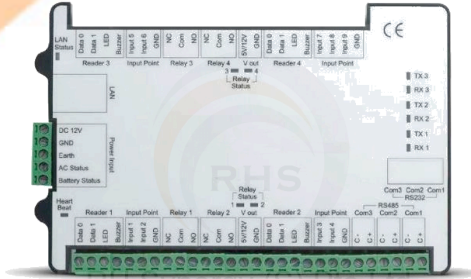




RHS S3100 Serial Control Panel

SKU#: RHS-ACS-S3100



Still an important and relevant system today, Serial Communicators enables transmission of information between computers or between computers and peripheral devices one bit at a time over a single line, either synchronous or asynchronous. Our range of Serial Communication devices varies from integrated controllers with built-in readers to advanced 4 readers control panel and even hybrid input/output control panels to suit your specific needs and requirements.

Features

- Support Single / 2-In doors
- Support Car Park Mode
- Compatible with various Reader Technologies
- RS-485 / RS-232 Communication Ports
- Configurable Digital / Supervised inputs (4)
- Quick Terminal Plug-in Connectors
- Dynamic Operation Profile
- Firmware Upgrade Via Server
- Reader Output Control
- AC Fail Monitoring
- Battery Monitoring
- Onboard & Cross-Board Door Interlocking
- Support 3,000 Users And 10,000 Events Memory



High Performance

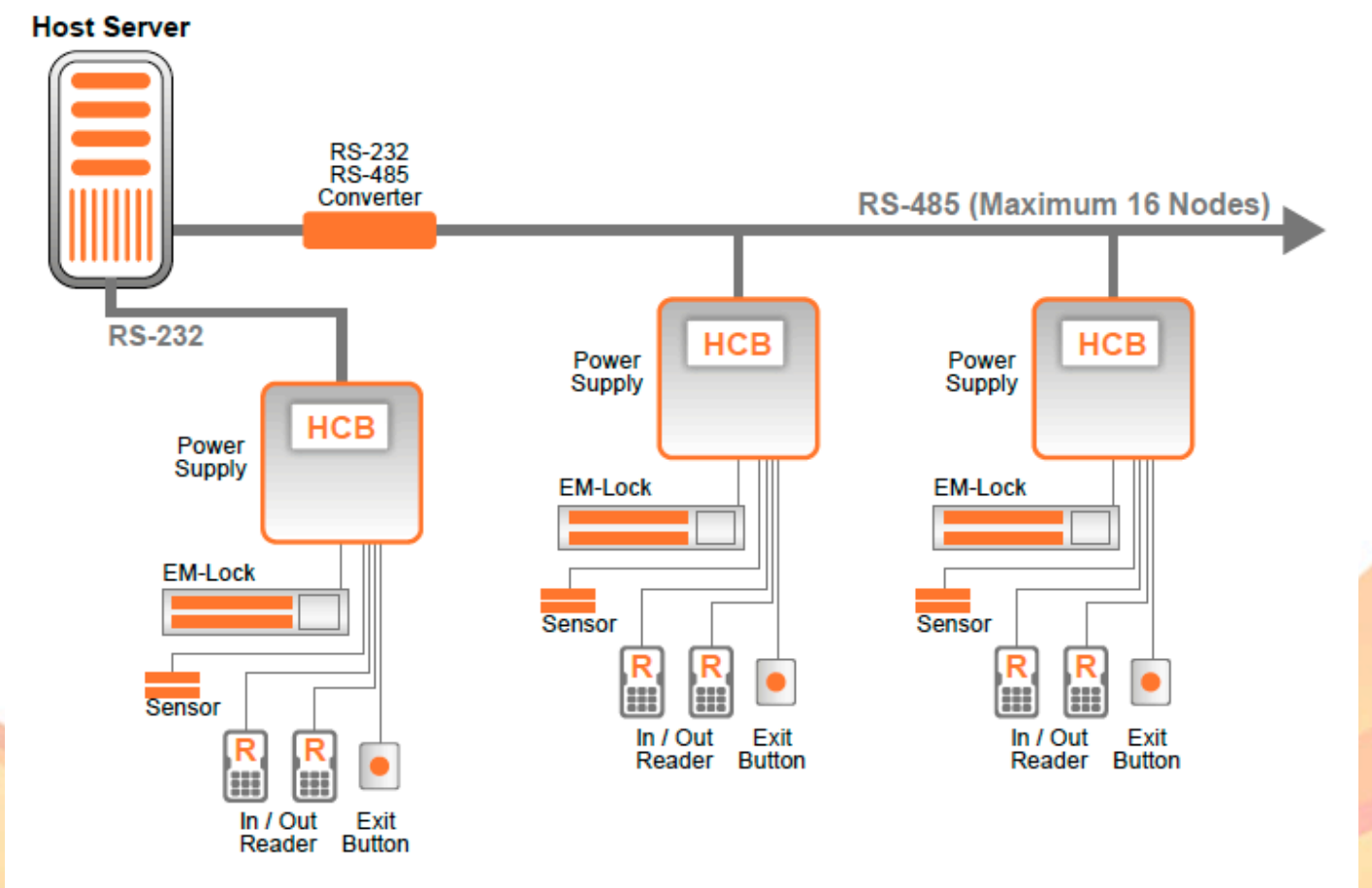
Based on the latest HCB (Hybrid Compact Board), S3100 is a high reliability, high efficiency and highly integrated intelligent multi-application control panel targeted for physical access control industry. It features a 32bits Freescale ColdFire microcontroller running at 60MHz, this control panel can fulfill most demanding requirement in physical access control environment.



Door Interlocking

2 In doors interlocking within the control panel, no external wiring is needed. Cross-board interlocking is achievable by acquiring the interlocking signal coming from second control panel before granting the accessibility to the local controller.

Basic System Diagram





SPECIFICATIONS

Hardware

Description

Dimension	158mm (w) x 90mm (H)
MCU	32bits @ 60MHz
Memory	256K Flash Memory 32K SRAM (Buffer) 32Mbits Non-Volatile SPI Flash Memory (Storage)
Card holder	3,000
Event Transaction	10,000
Access Level	255 sets
Digital/Supervise Inputs	Max. 4, User configurable (Door Sensor/Request-To-Exit/Fire Input/General Purpose)
Digital Output	Max. 2 Dry contact Relay
Onboard Real Time Clock	Yes
Serial Communication Port	RS232/RS485 User Configurable
Power Protection	Resettable Fuse - 2.5A
Surge Protection	TVS - Up to 15KVA
Onboard LED Control	Power / Communication / Event / Error
Onboard Buzzer	1
AC Fail Monitoring	Yes
Battery Monitoring	Yes (Firmware threshold control to shutdown control panel)
External Short Circuit Protection	At readers
Backup Battery	Yes, Apply to RTC only